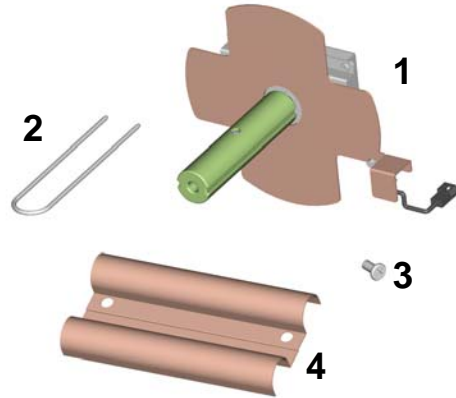


EZ-2000Plus Rewinder Installation Guide

1	Rewinder
2	Paper Clip
3	Screw
4	Rewind bracket

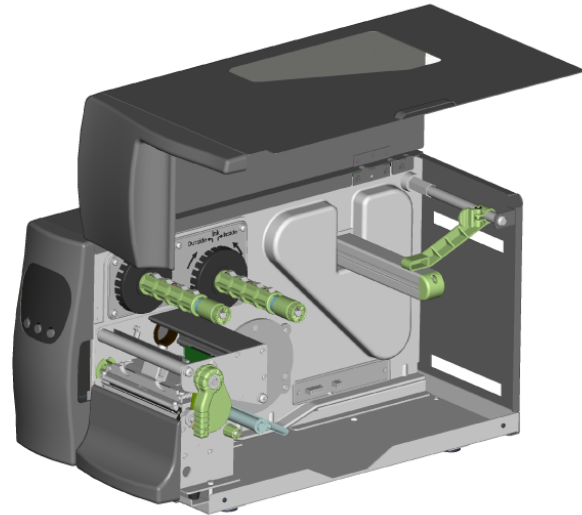
【Note】
Peel-off liner Max width: 118mm

【Suggestion】
Liner thickness: 0.06mm ~ 0.25mm.

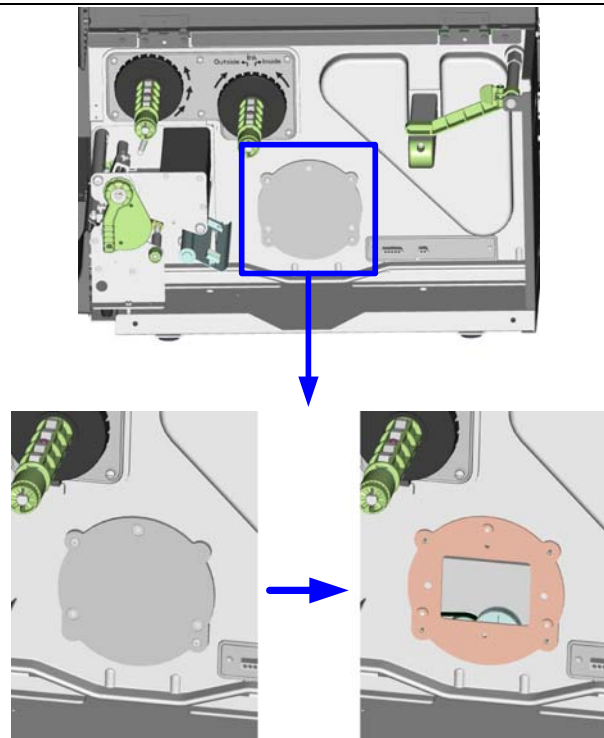


1. Place the printer onto a smooth surface, open the top cover and face the printer sideways.

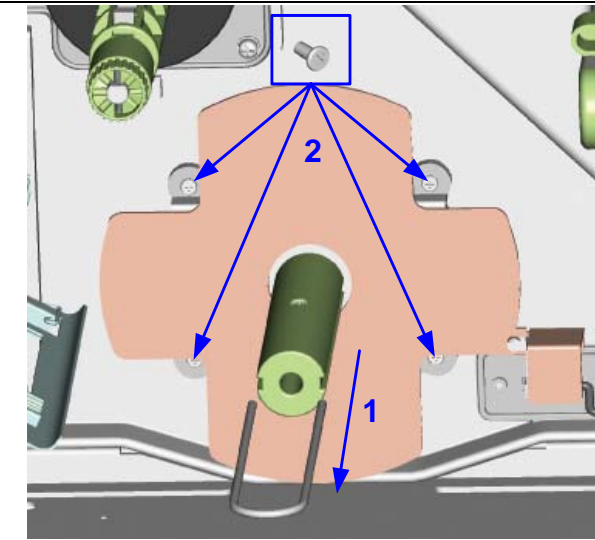
【Note】
Before the installation, please power off the printer first.



2. Turn the printer sideways and remove the Rewinder module cover plate.

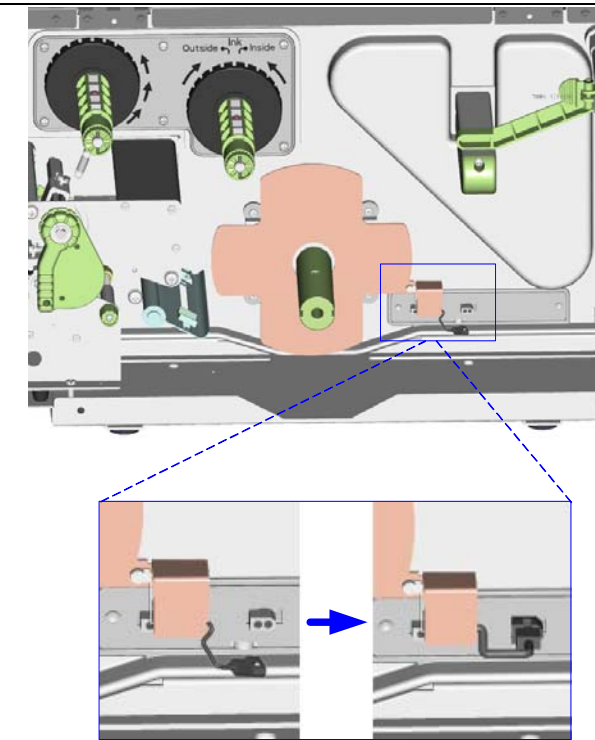


3. Take off the U Shape Clip from the Liner Rewind Shaft.



4. Secure the Rewinder unit onto the printer.

5. After the Rewinder is installed, plug the Rewinder Cable Connector onto the Rewinder Connector.



6. Rewinder Installation completes.

【Note】
The maximum length of rewind label is the total length of a label roll that with 8" OD and 3" core.

