



GoDEX
T-10 LABEL REWINDER

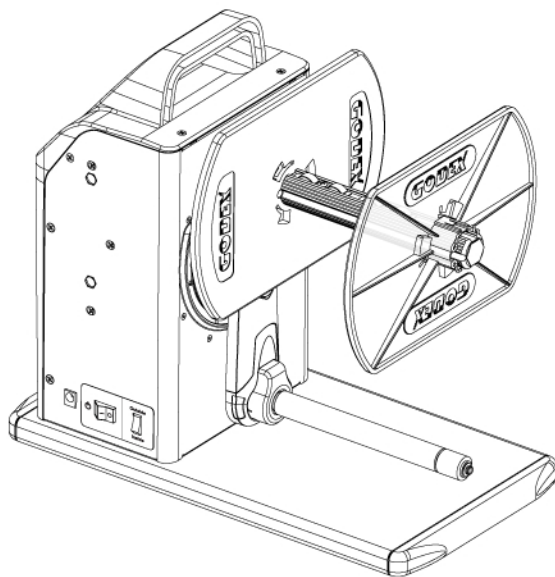
T-10 USER GUIDE

CONTENT

- 1 **BOX CONTENTS**
 - 2 **GETTING TO KNOW YOUR T-10 REWINDER**
 - Device overview
 - 3 **SETTING UP THE REWINDER**
 - Connection
 - Loading the label
 - Label core in different sizes
 - Match up the empty label core and core adapter
 - The modes of rewinding
 - Start the rewinder
 - 4 **WHAT'S THE STATUS OF THE REWINDER**
 - LED indicator
 - When the rewinder is full
 - 5 **TROUBLESHOOTING**
 - Sensing error
 - Idle load
- APPENDIX**
- Product specifications

1 BOX CONTENTS

- T-10 Label Rewinder



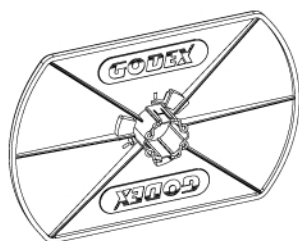
- User Guide



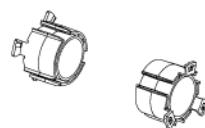
- Paper Clip



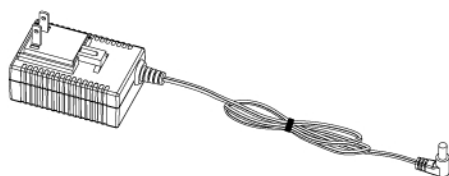
- Paper Stop Plate



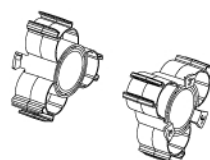
- 1.5'' Adapter



- Power Adapter



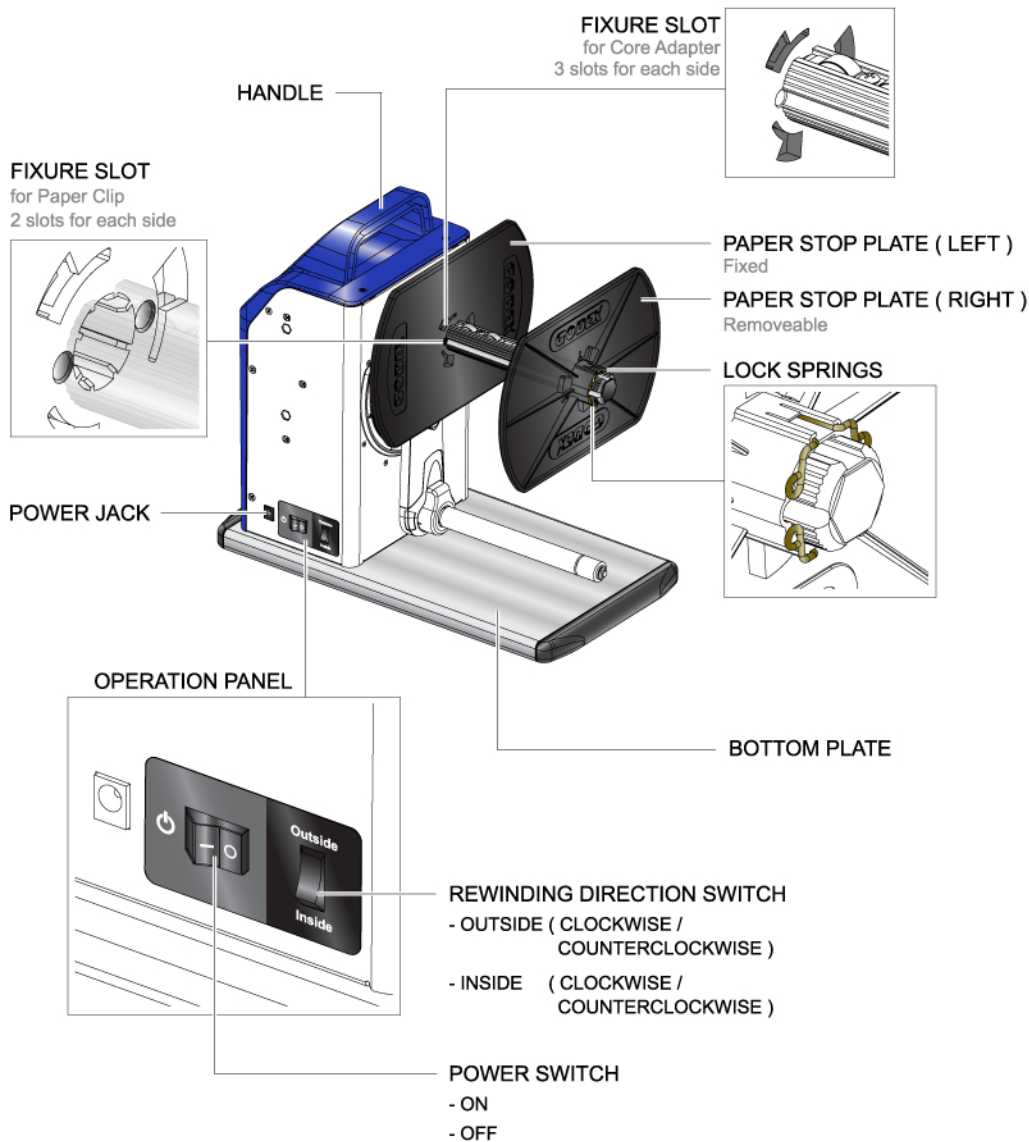
- 3'' Adapter



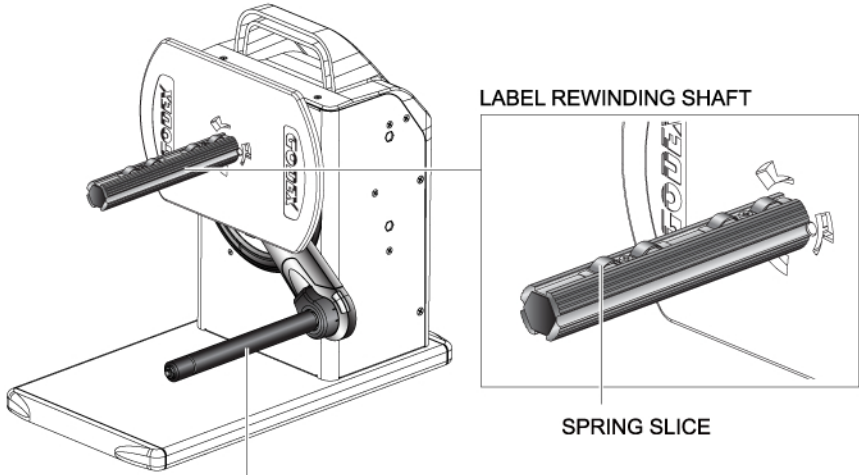
2 GETTING TO KNOW YOUR T-10 REWINDER

Device Overview

- Front View



- Rear View



CONTROL MECHANISM

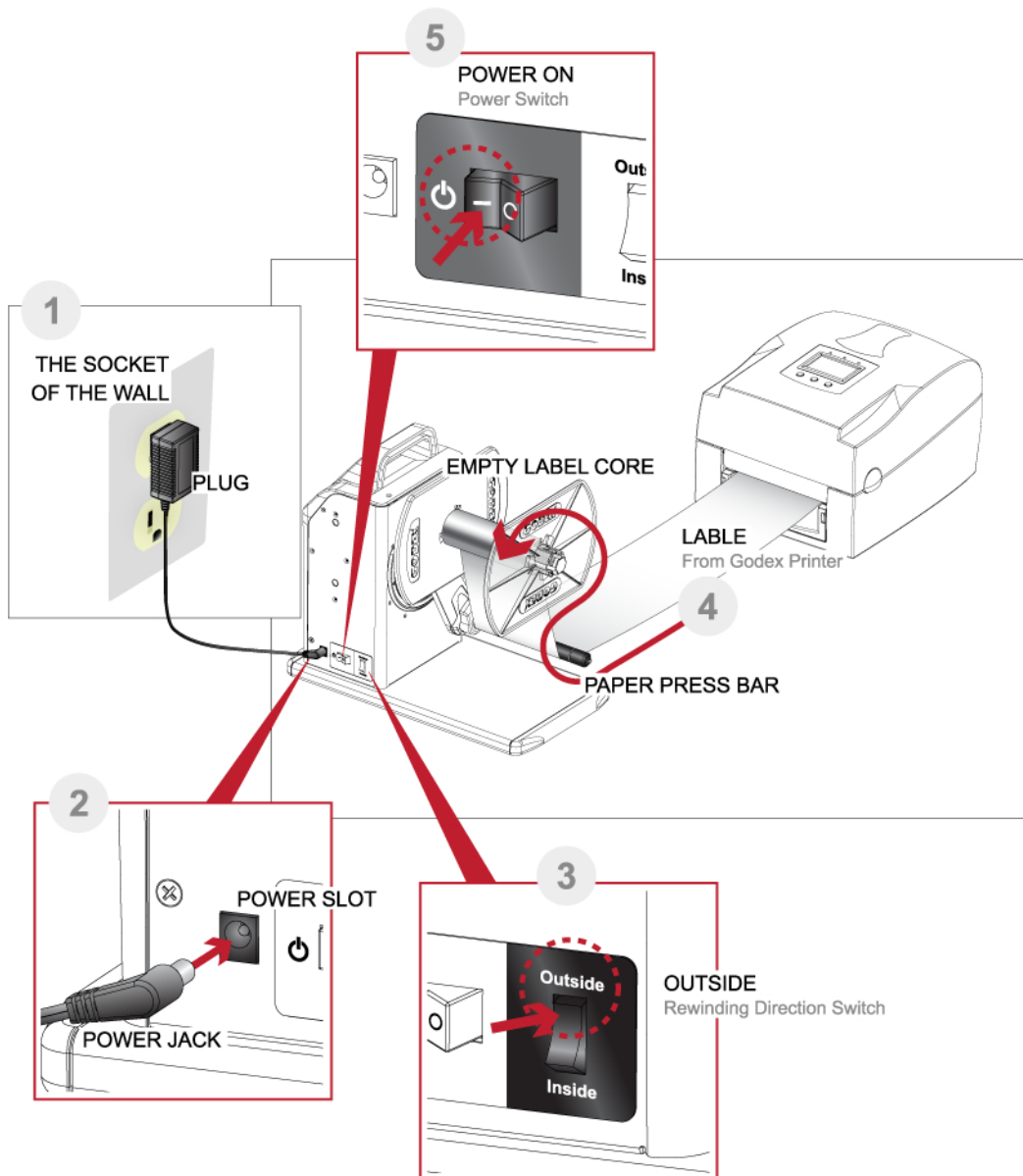
- Start
- Direction
- Status



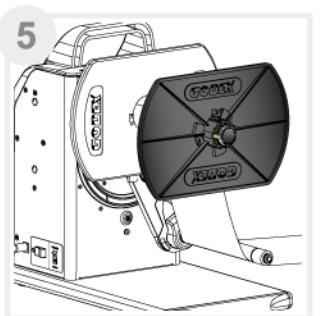
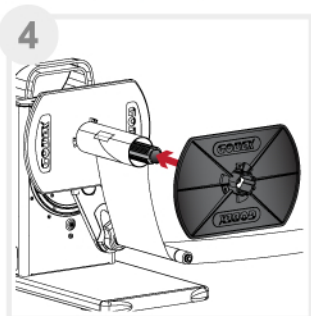
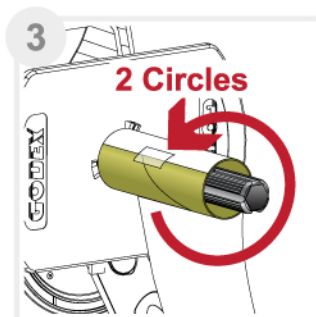
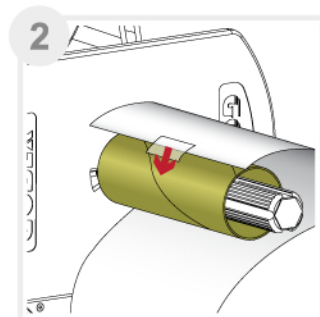
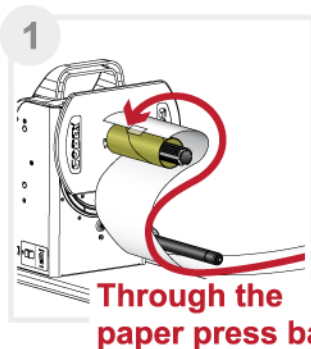
Be Clean

3 SETTING UP THE REWINDER

Connection



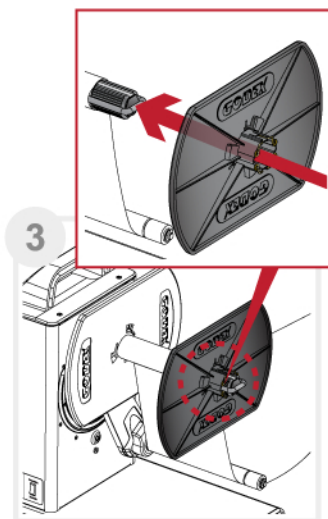
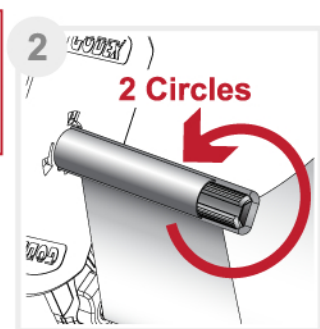
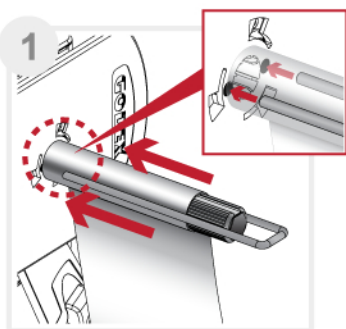
Loading the Label



Label core in different sizes

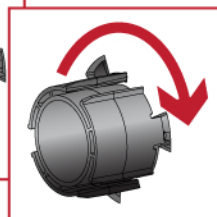
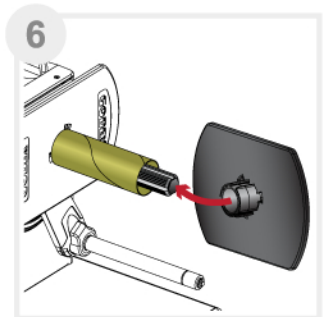
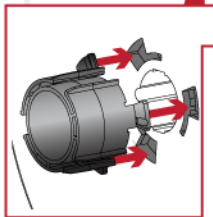
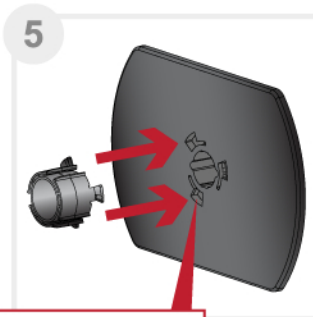
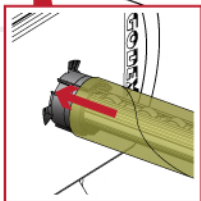
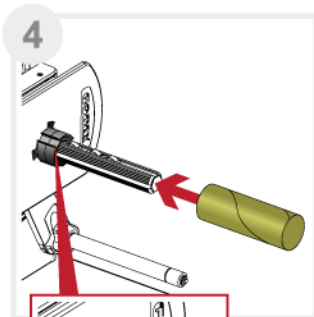
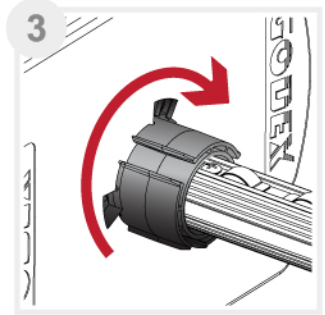
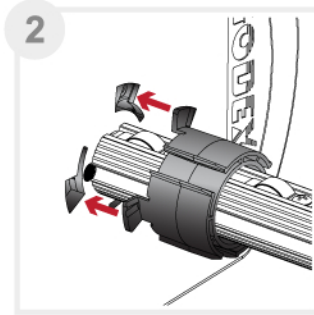
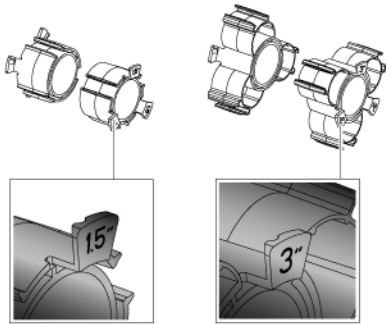
Paper Clip

for 1", to fix label in position.



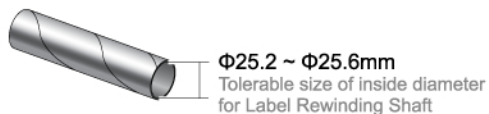
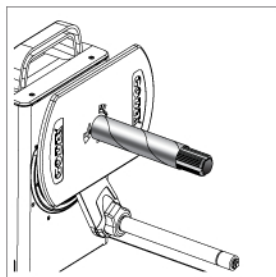
Core Adapter

for 1.5", 2", 3" Empty label core.

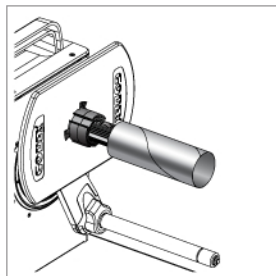


Match up the empty label core and core adapter

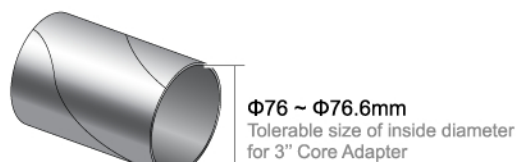
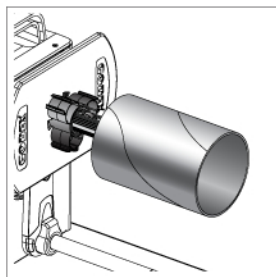
1'' Empty Label Core
with Label rewinding shaft.



1.5'' Empty Label Core
with 1.5'' Core adapter.

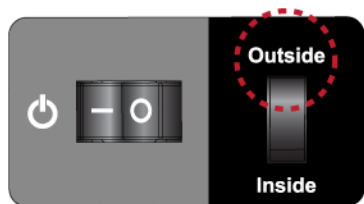


3'' Empty Label Core
with 3'' Core adapter.

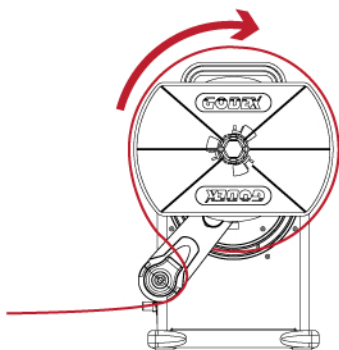


The Modes of Rewinding

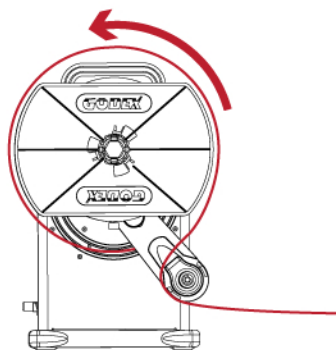
Outside



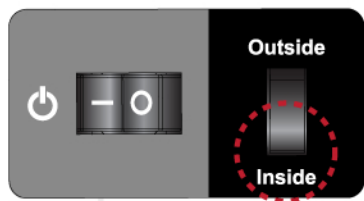
Clockwise



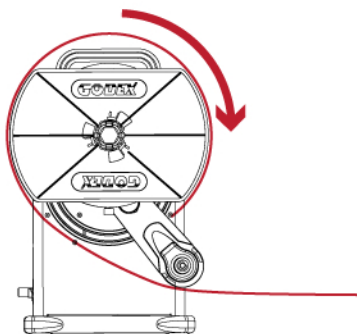
Counterclockwise



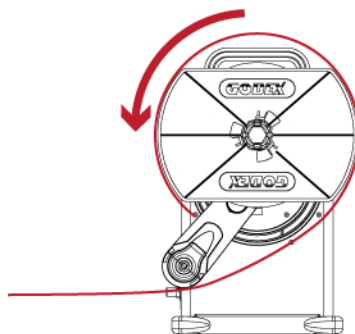
Inside



Clockwise

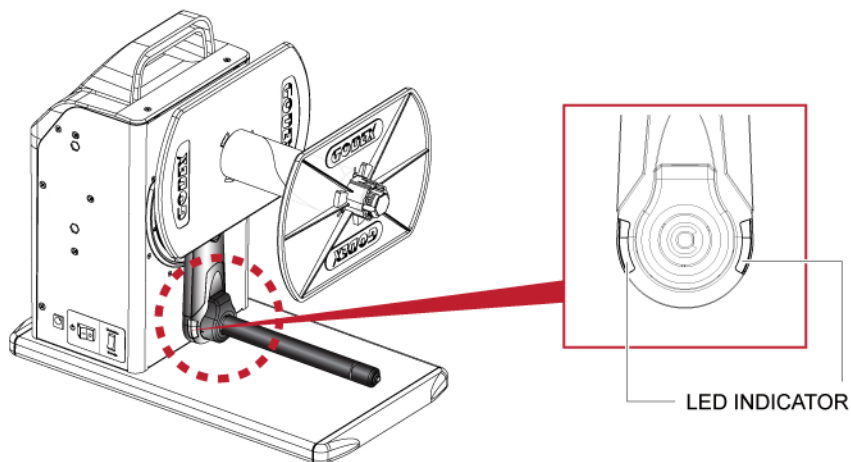


Counterclockwise



4 WHAT'S THE STATUS OF THE REWINDER

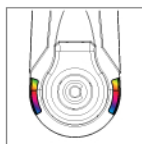
LED Indicator



STATUS

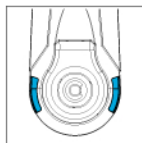
LED INDICATOR

Power ON



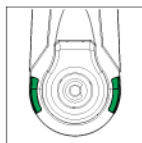
Flash

Outside



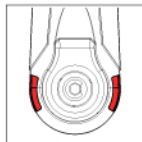
Blue

Inside

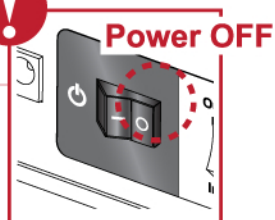


Green

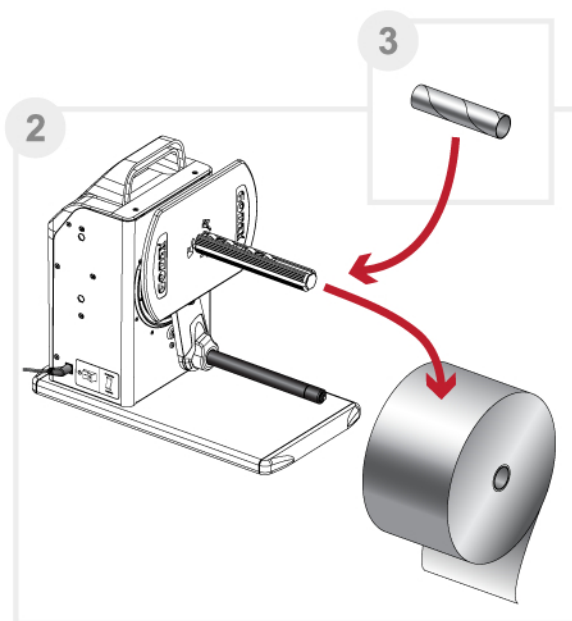
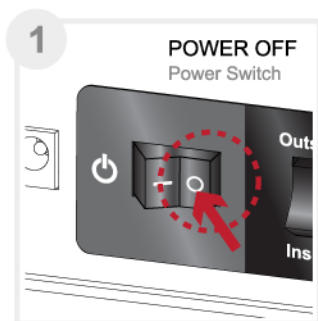
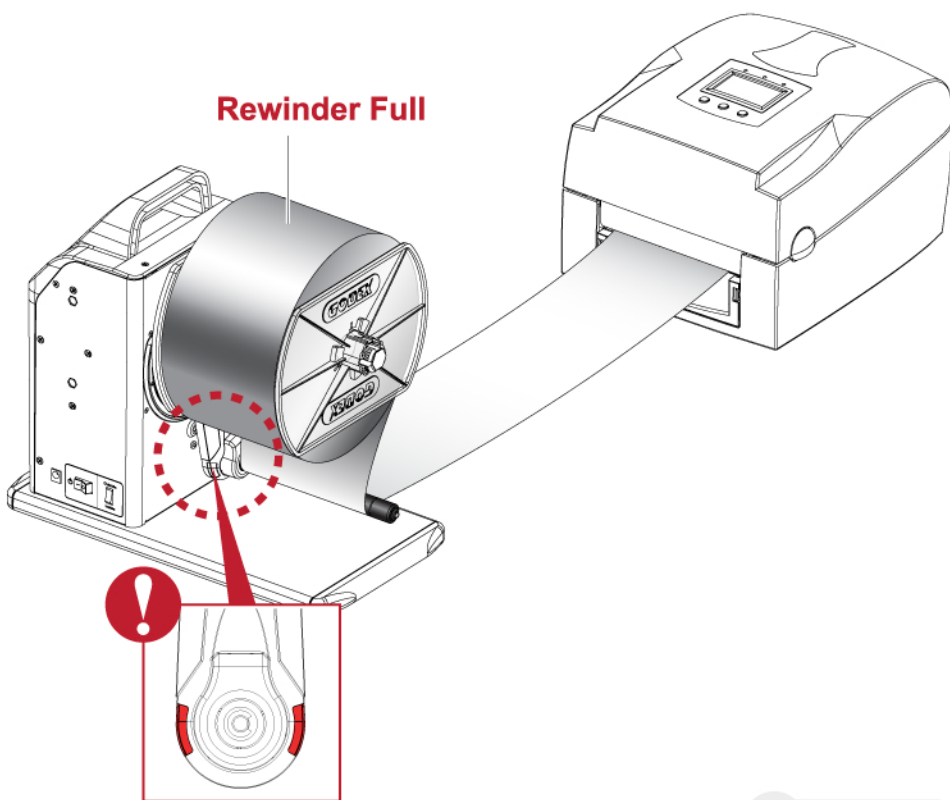
Error / Alert



Red

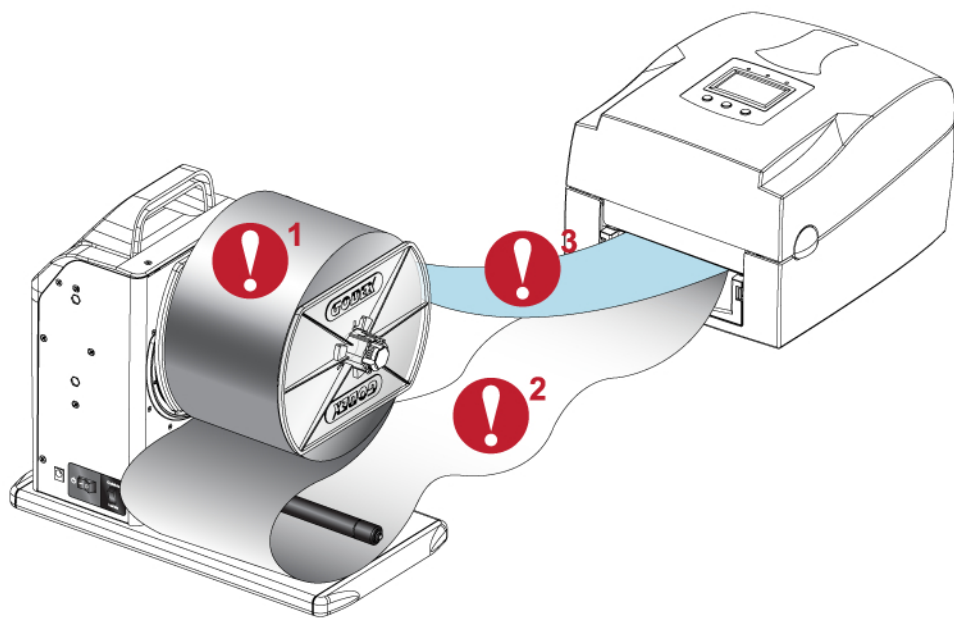


When The Rewinder Is Full



5 TROUBLESHOOTING

Error / Alert



Error /Alert

Description



Paper Full

refer to "When The Rewinder Is Full" on Chapter 4



Sensing Error

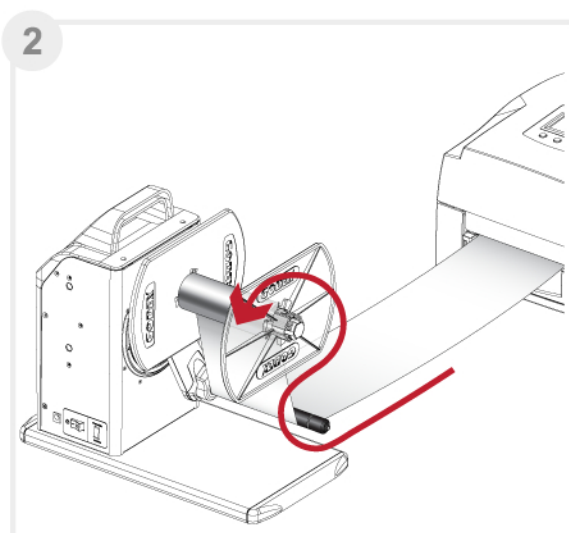
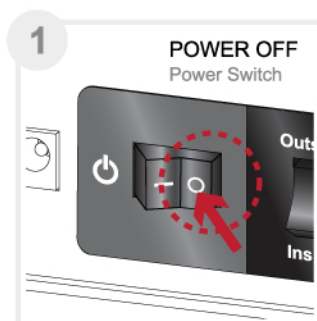
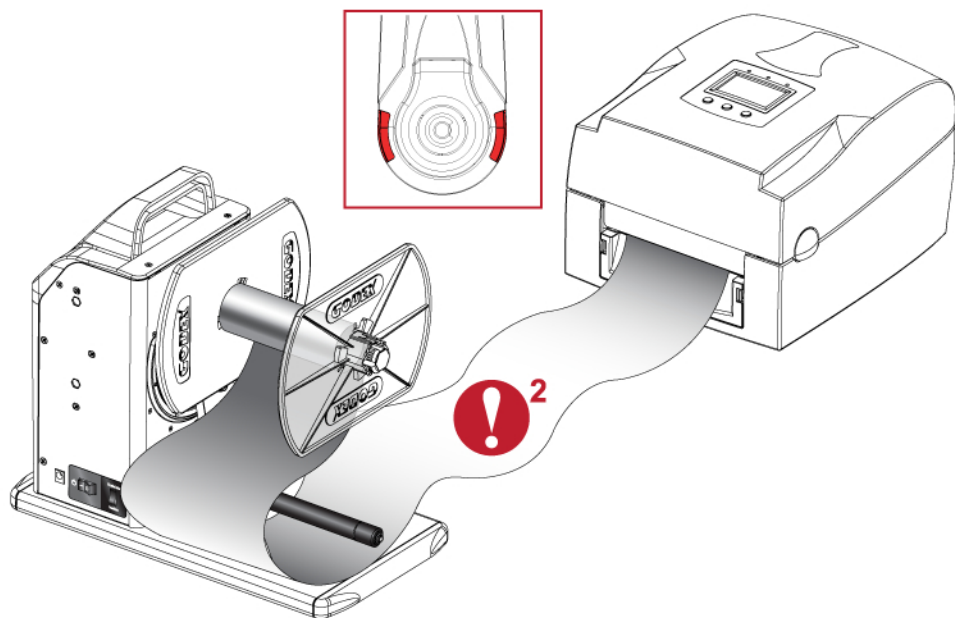
refer to "Sensing Error" on Chapter 5



Idle Load

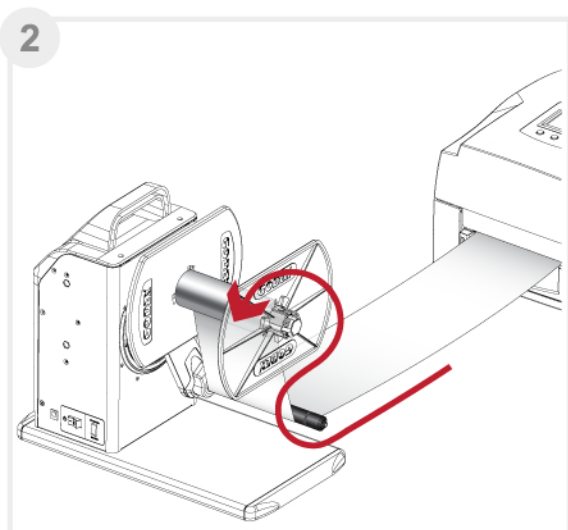
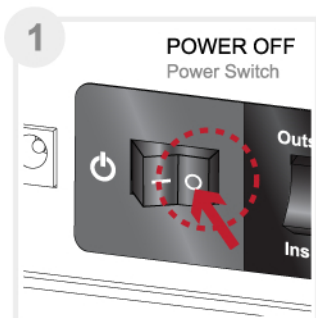
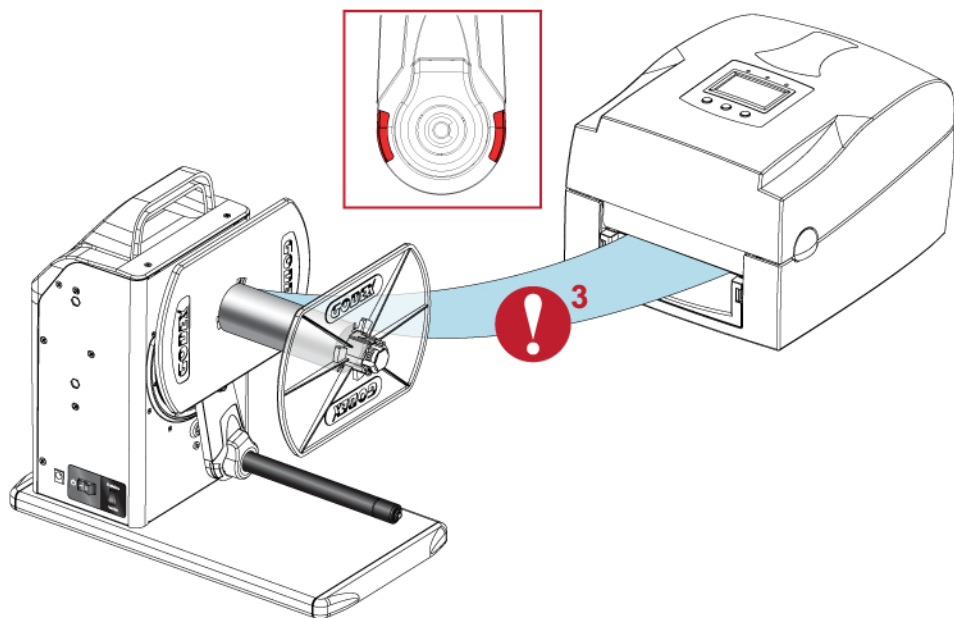
refer to "Idle Load" on Chapter 5

!² Sensing Error





Idle Load



T-10 USER GUIDE

APPENDIX

PRODUCT SPENIFICATIONS

Model	T-10
Paper width	4.72" (Max)
Rewind Speed	12 IPS
Label Roll	8" (Max.)
Core Roll	Coreless, 1", 1.5", 3"
Label Roll Weight	5Kg
Rewinding	Label Inside/Outside
Switches	Rewind
Motor	Hybrid Motor
Power	100~240VAC 24W, 24V Adapter
Environment	Operating Temp.: 41°F to 104°F (5°C to 40°C) Storage Temp.: -4°F to 122°F (-20°C to 60°C)
Humidity	10-85% (non-condensing RH)
Size (H*W*D)	303mm * 180mm * 349mm
Agency Approvals	CE, FCC Class A
Weight	5Kg (11lb)
Warranty	2years



DOCUMENT DESCRIPTION

USER GUIDE

T-10 Label Rewinder

Version : Re 1.05

Issue Date : 2011.08.09

Part NO. : 313-041000-003

If you are looking for manuals in other languages or newer editions, please visit our website www.godexintl.com.



GODEX INTERNATIONAL

infoGT@godexintl.com

+886-2-2225-8580

GODEX AMERICAS

infoGA@godexintl.com

+1-805-987-5100

GODEX CHINA

infoGC@godexintl.com

+86-21-5665-1313

GODEX EUROPE

infoGE@godexintl.com

+49-2193-53396-0