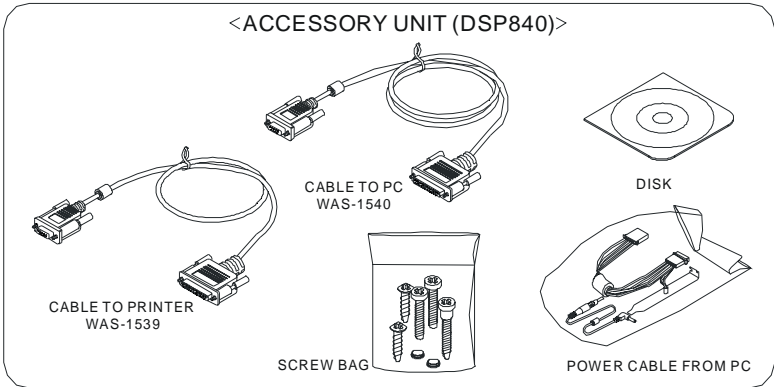
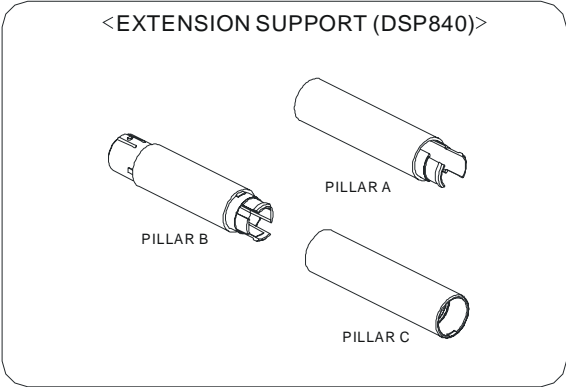
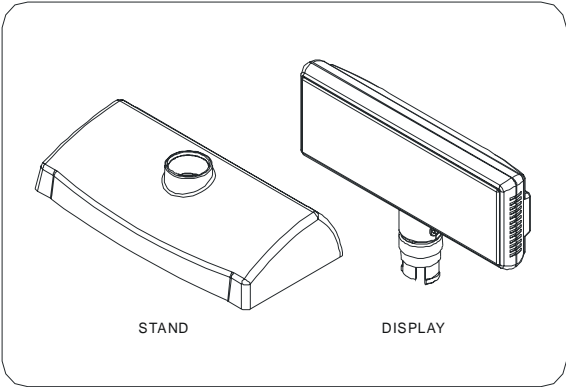


Customer Display
DSP840
Installation Manual

TM951041

Required Items

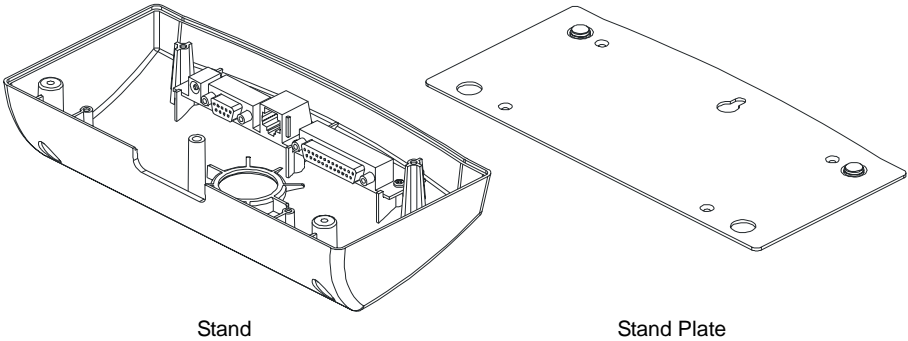
The following items are used to attach the Display to the Stand.



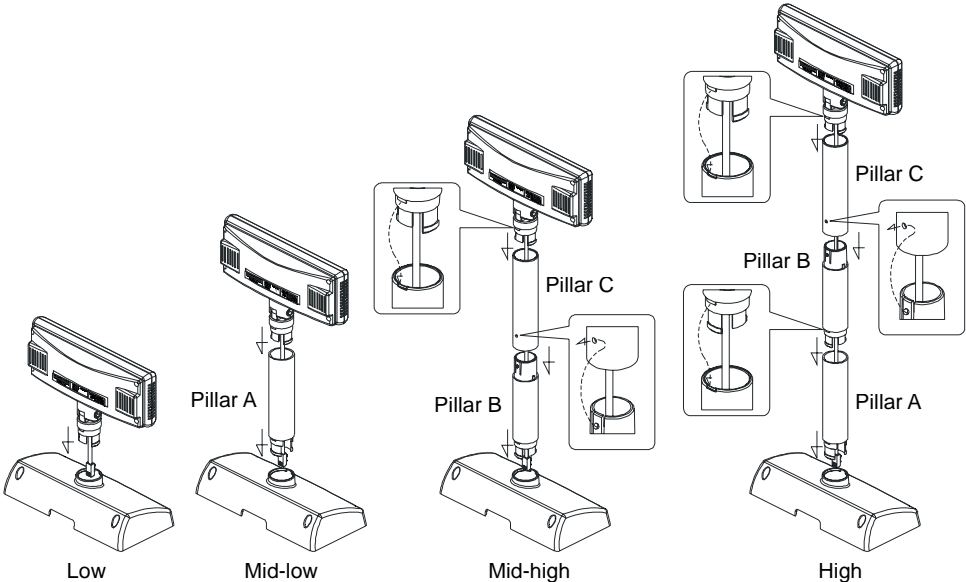
Remark: CABLE TO PRINTER (WAS-1539) is an optional item.

Assembling Steps

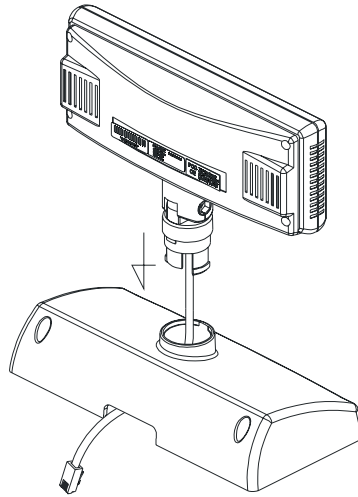
1. Get the Stand and the Stand Plate.



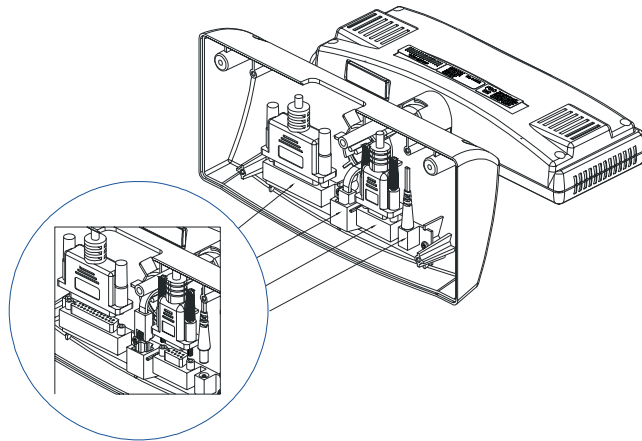
2. Get the DISPLAY unit and place the Cable from the Display through the extension pillars to the Stand.
When extending the height of the Stand, attach the extension pillars with different heights: Low, Mid-low, Mid-high and High shown as below to the Stand.



3. Insert the tab on the Display (or the extension Pillar) into the hole on the Stand until you feel it clicked.

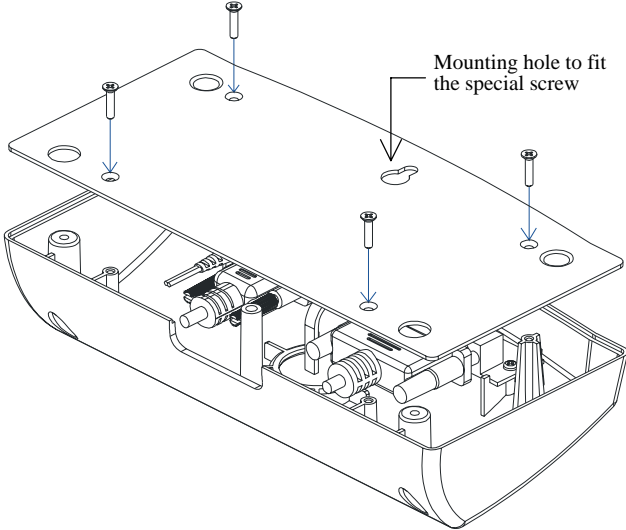


4. Connect the cable from the Display to the RJ connector (TO DSP) inside the Stand until you feel it clicked.
Also connect the enclosed D-connector cable (CABLE TO PC) to the “ To Host ” connector and plug the power cable (POWER CABLE FROM PC) into the DC Jack (DC 12V) and connect the optional Printer D-connector cable (CABLE TO PRINTER) to the “ To Printer ” connector when needed.

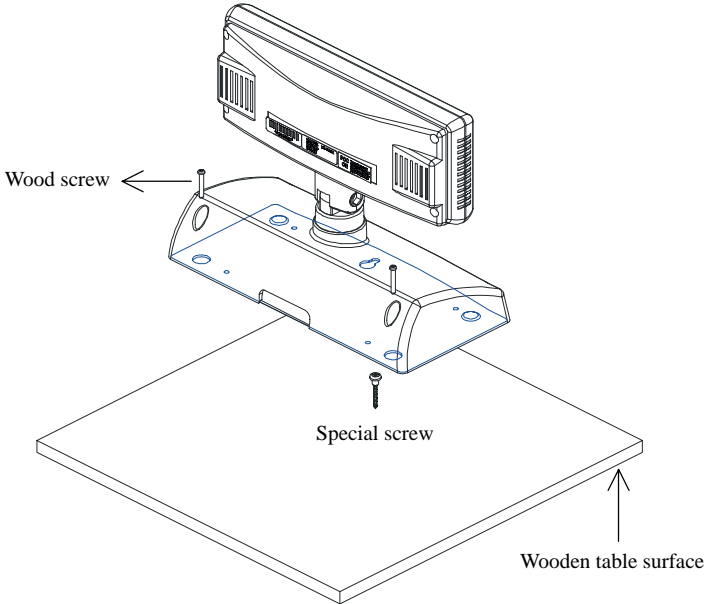


Note: CABLE TO PRINTER (WAS-1539) is an optional item.
You may order it when needed.

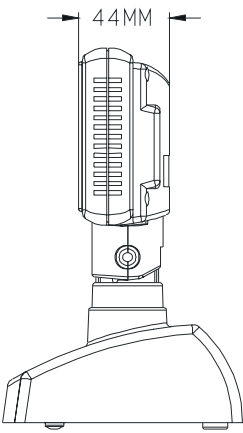
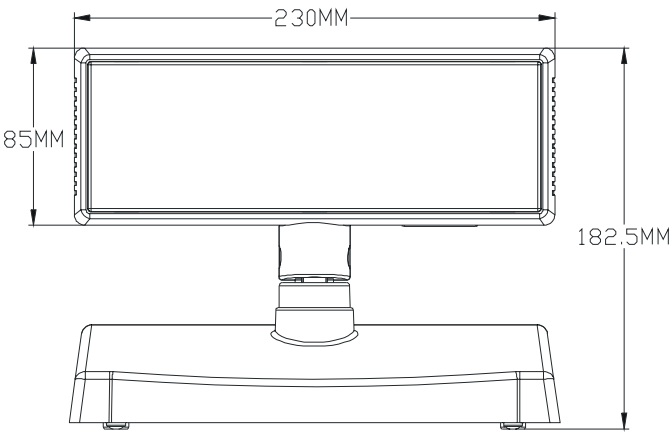
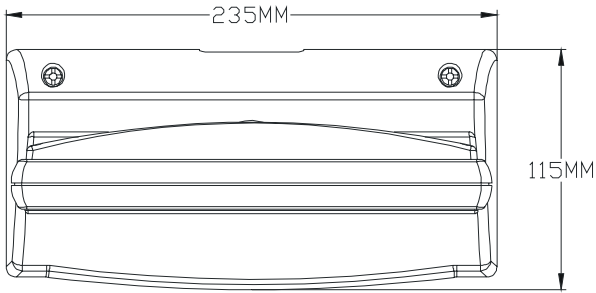
5. Cover the Stand Plate back and fasten the screws.



6. You may use the enclosed mounting screws (one Special screw and two Wood screws) to fix the Display on the wooden table surface.
Get the Mounting hole on the Stand Plate to fit the Special screw first and then fix the two Wood screws.



The Display/Pillar/Stand Dimensions



Low

The Display/Pillar/Stand Dimensions

