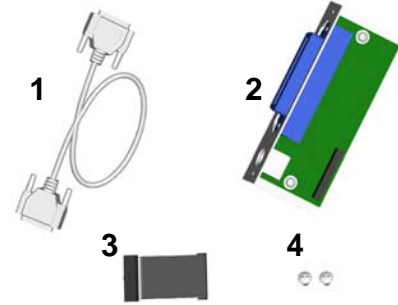
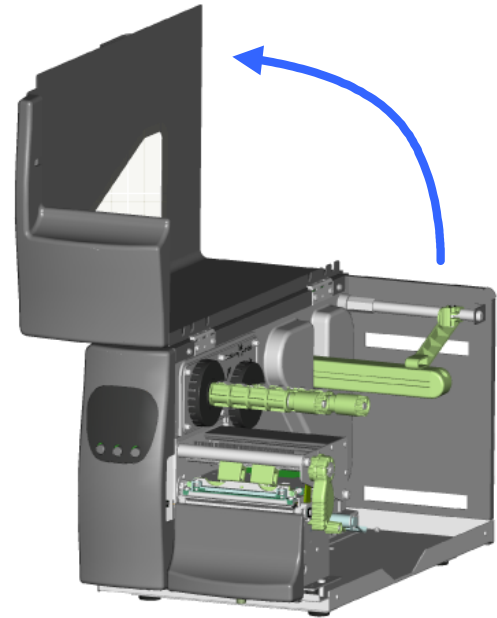


EZ-2000Plus/EZ-6000Plus Parallel/PS2 Adapter Installation Guide

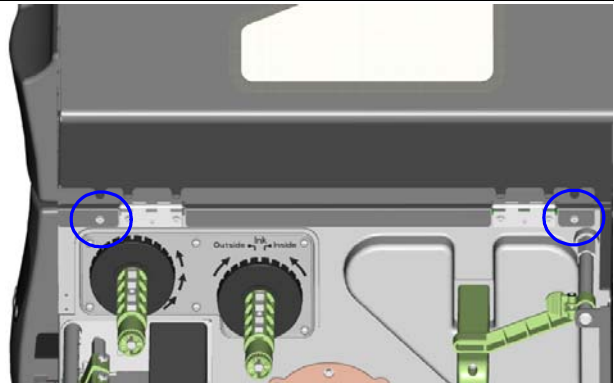
1	Parallel Cable
2	Parallel/PS2 Adapter
3	Connector Cable
4	Screw x 2pcs



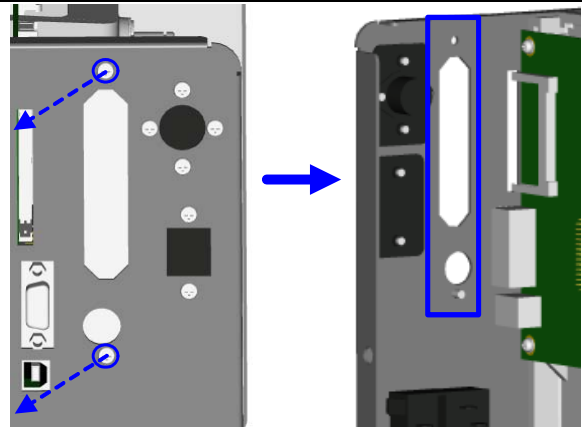
1. Make sure the power is off and the power cable is unplugged. Place the printer onto a smooth surface and open the top cover.



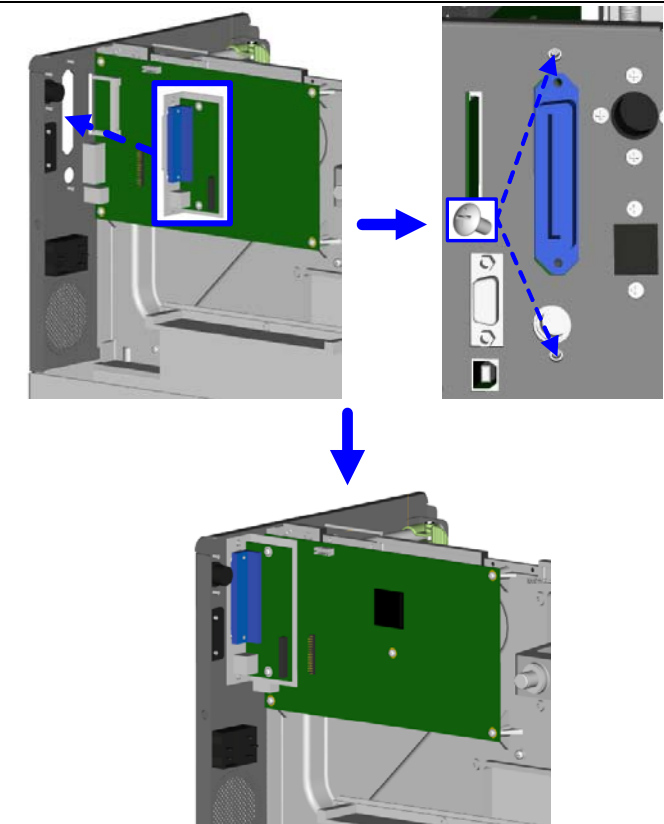
2. Unscrew two screws as indicated in figure and remove the left top cover from the printer.



3. Unscrew the screws of parallel port cover and remove the cover.

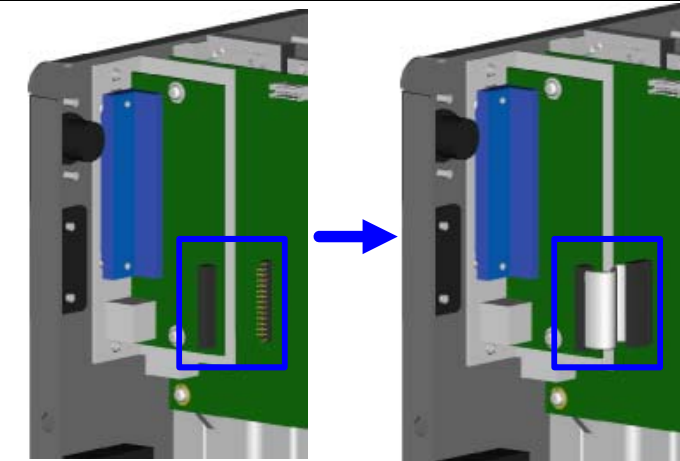


4. Align the Parallel/PS2 module to the parallel port and secure the module onto the back plate.



5. Connect one end of the 30 pin connector cable to the main board and the other end to the Parallel/PS2 module.

[Note]
Please check the direction of pin and socket before plugging the connector cable. Plugging the connector in wrong direction will cause Parallel/PS2 module not working.



6. The Parallel/PS2 module installation is complete.

