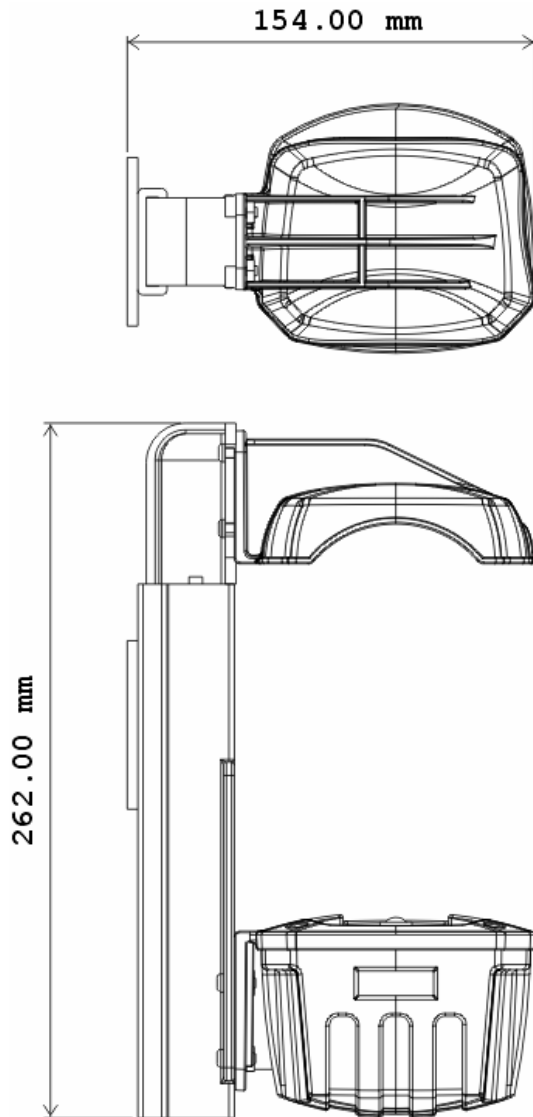


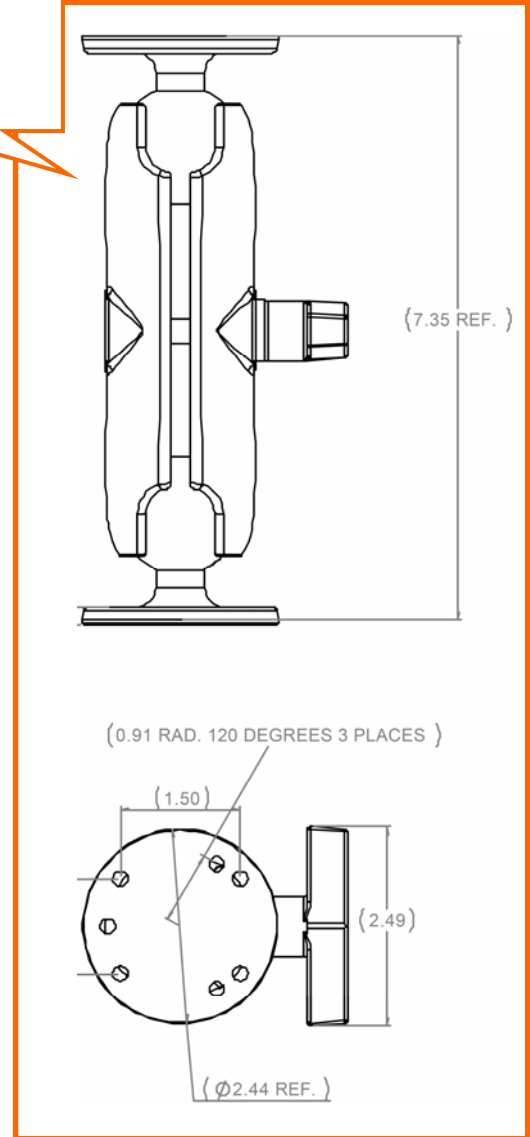
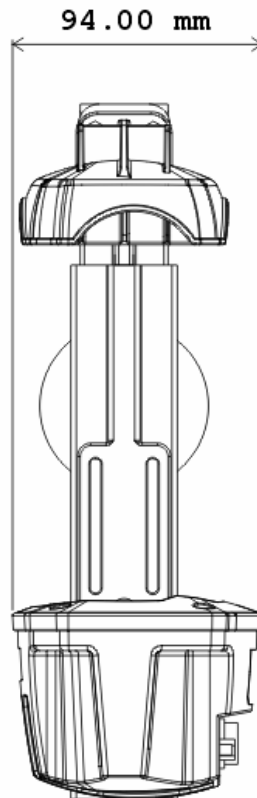
8500 Vehicle Cradle Quick Installation

- 8500 Vehicle Cradle
- Mount Base
- Charging Cable
- Cable Assembly with In-line Fuse Holder (3A)
- Serial Cable
- USB Virtual COM Interface Cable (Optional)

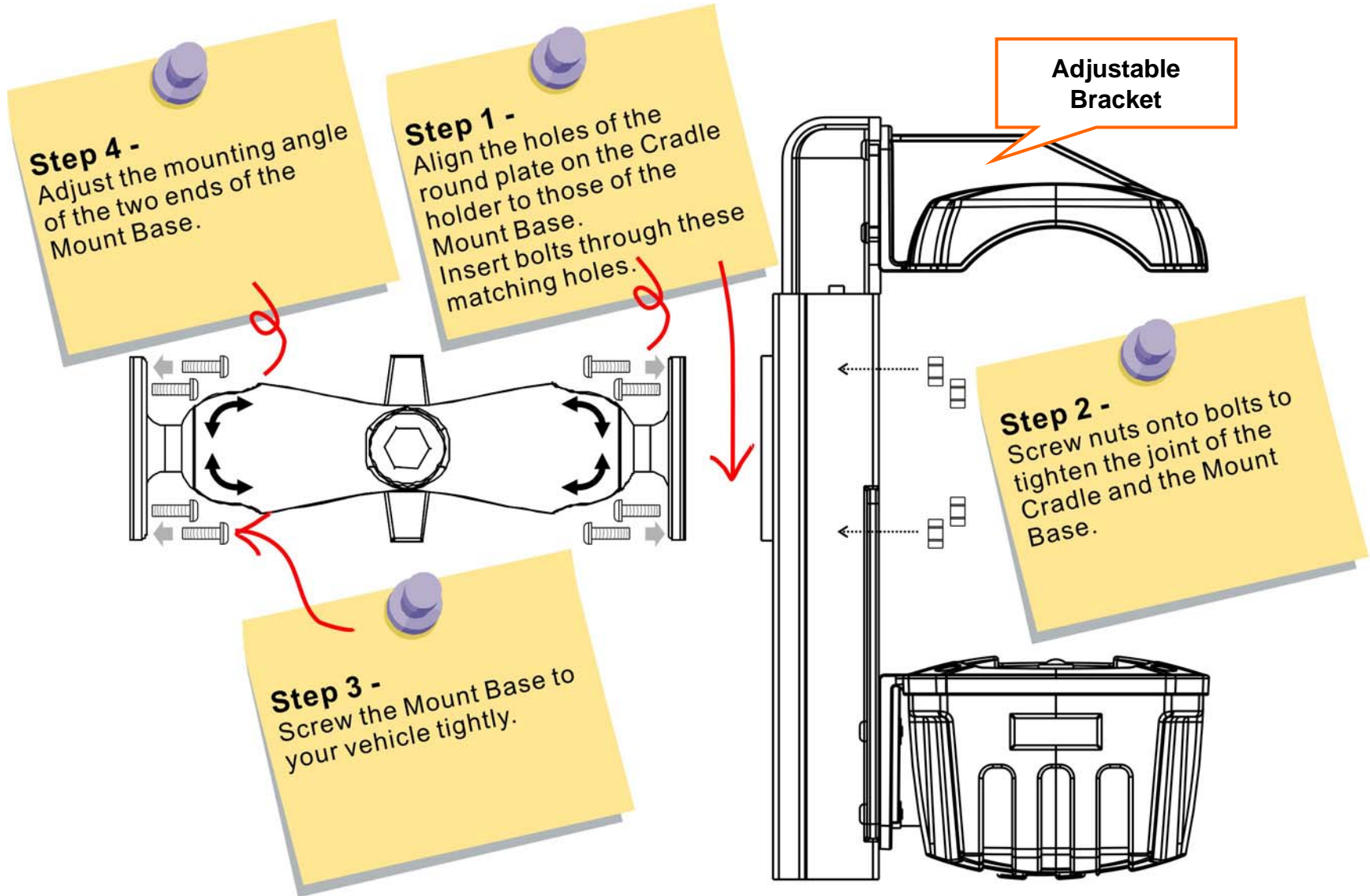
Dimensions



Dimensions of the Mount Base are in inches.



Installing the Cradle & Base

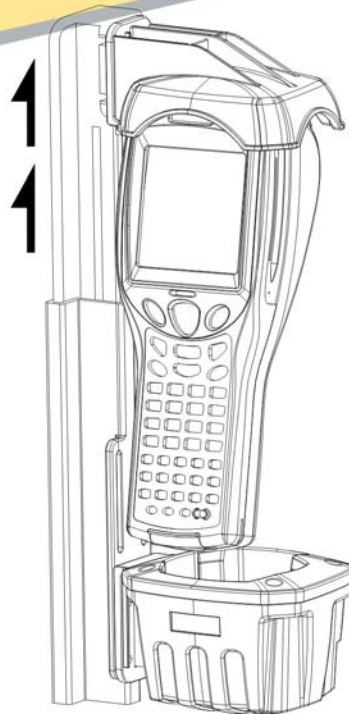


Seating 8500 in the Cradle

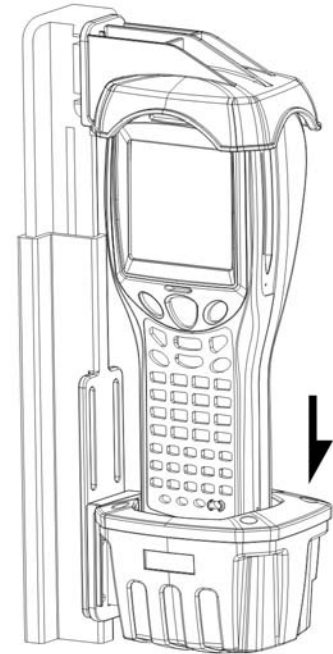
Step 1 -
Hold 8500 firmly and insert it to the adjustable bracket at a proper angle as shown below.



Step 2 -
Hold 8500 against the adjustable bracket, and, move it upwards until 8500 can sit in the Cradle.

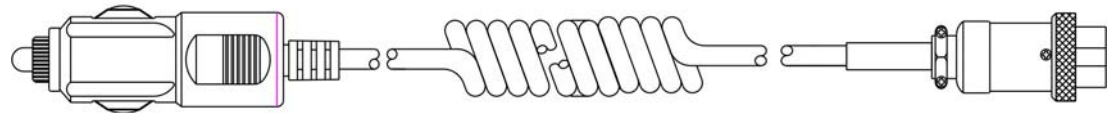


Step 3 -
Seat 8500 straight in the Cradle.



■ Charging 8500 from the Cigarette Lighter

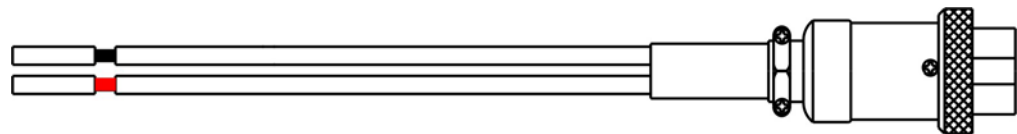
1. Connect one end of the charging cable to the receptacle of the Cradle.
2. Connect the other end to the cigarette lighter of your vehicle.



■ Charging 8500 from a 12V DC Power Source

Instead of connecting the Cradle to the cigarette lighter, you can connect it to a 12V DC power source by making use of the cable assembly with the in-line fuse holder pre-installed.

1. Connect the black wire of the cable assembly to the vehicle ground wire.
2. Install the fuse holder to the red wire of the cable assembly and connect it to a +12V DC vehicle power source.



Warning!

Only a qualified technician can perform the power connection.
Improper connection may cause damage to the vehicle or Cradle.

■ Connecting to Notebook

To enable data communications between 8500 and your computer, use the serial cable that ships in the package.

1. Connect the DB-9 male connector of the serial cable to the bottom of the Cradle.
2. Connect the other end to the serial port of your notebook.



Note: If you wish to connect the Cradle to a USB port on your notebook, you can purchase a USB Virtual COM Interface cable separately.

Specifications

Physical Specification	
Dimensions	(W) 154 mm × (H) 262 mm × (D) 94 mm
Operating Temperature	-20°C ~ 80°C
Storage Temperature	-30°C ~ 90°C
Operating Humidity	10% ~ 90% non-condensing
Storage Humidity	5% ~ 95% non-condensing
Electrical Specification	
Operating Power	Output – DC 6V / 2.5A Input – DC 12 ~ 48V
Electrostatic Discharge	±8kV (direct) ±15kV (air)
EMC Regulation	CE, FCC/IC, C-Tick ISO7637-2, -3: 2004
Communications	
Serial Port	DB-9 female connector
IR Port	Software programmable – Default 38,400 bps Maximum 115,200 bps