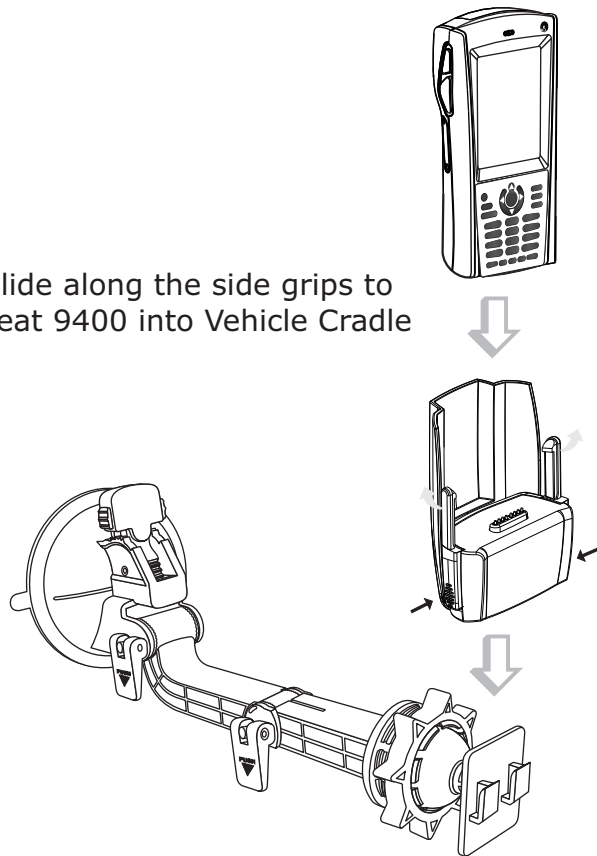


Vehicle Cradle, in conjunction with the windshield suction pedestal and car kit, is suitable for use in your vehicle when you are always on the road.

Travel Charger is a good traveling companion for your 9400 Mobile Computer. It makes charging convenient and flexible, either from any power outlet or the vehicle's lighter socket.

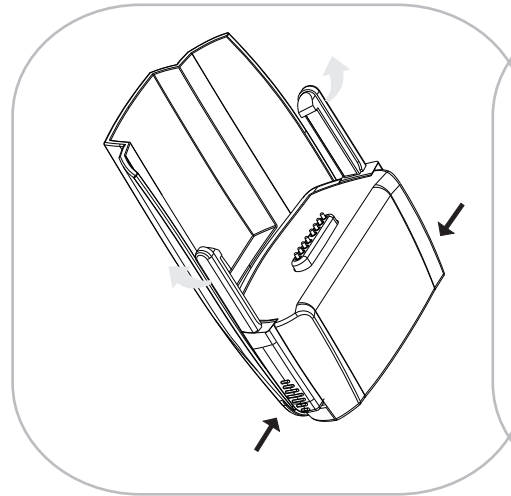


Slide along the side grips to seat 9400 into Vehicle Cradle

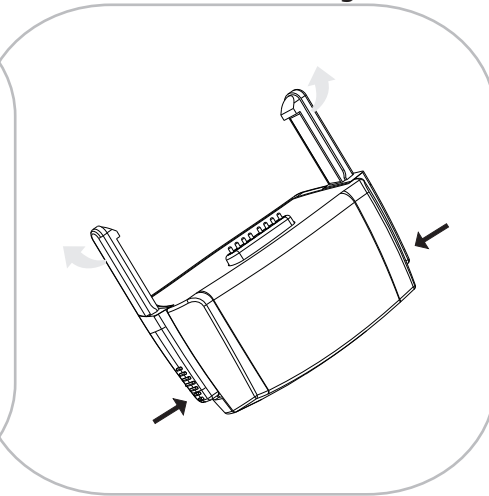


Windshield Suction Pedestal

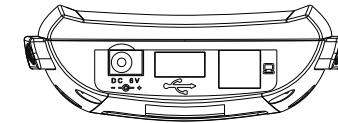
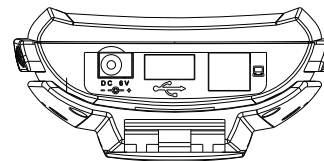
Vehicle Cradle



Travel Charger



Push the side grips open to release 9400.



## 9400 Vehicle Cradle & Travel Charger

## Charging from the Cigarette Lighter

- Step 1. Connect the charging cable to the power receptacle (a) at the bottom of Vehicle Cradle or Travel Charger.
- Step 2. Connect the charging cable to the vehicle's lighter socket. (A)
- Step 3. Use the USB cable to connect to a laptop (C) as well as any USB client device, such as a keyboard, mouse, a flash drive, etc. (b)

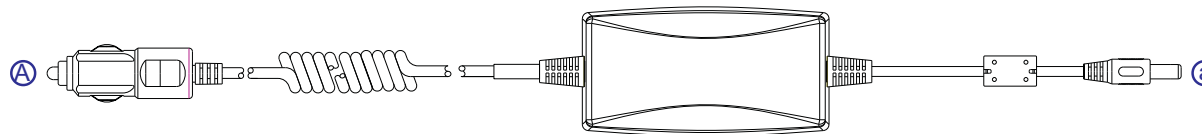
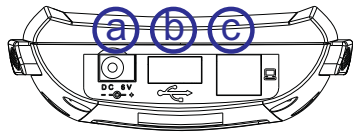
### Warning

Only a qualified technician can perform the car kit power connection. Improper connection may cause damage to the product or vehicle.

Be aware that the temperature of the metal back plate of car kit may rise up to 60°C when in use for prolonged periods of time.

Although such temperature rising is considered normal, you should avoid direct contact with the metal part.

For safety concerns, always remove the car kit from power source when not in use.



## Physical Characteristics

Dimensions for Travel Charger	(W) 94.4 mm x (H) 69.6 mm x (D) 34 mm
for Vehicle Cradle	(W) 94.4 mm x (H) 108 mm x (D) 45 mm

Communication Ports	USB Host port x 1, USB Client port x 1
---------------------	--

## Electrical Characteristics

Operating Power (car kit)	Output - DC 6V / 2A / Input - DC 12 ~ 48 V
---------------------------	--

Electrostatic Discharge	±15 kV air discharge / ±8 kV direct discharge
-------------------------	---

EMC Regulation	CE, FCC, IC, C-Tick, MIC
----------------	--------------------------

## Environmental Characteristics

Temperature	Operating -20°C ~ 80°C / Storage -30°C ~ 90°C
-------------	---

Humidity (non-condensing)	Operating 10% ~ 90% / Storage 5% ~ 95%
---------------------------	--

# 9400 Vehicle Cradle & Travel Charger