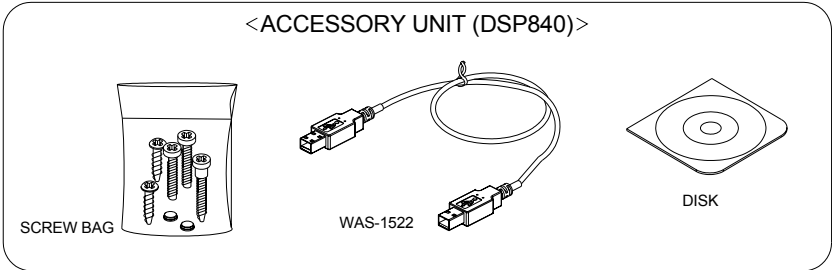
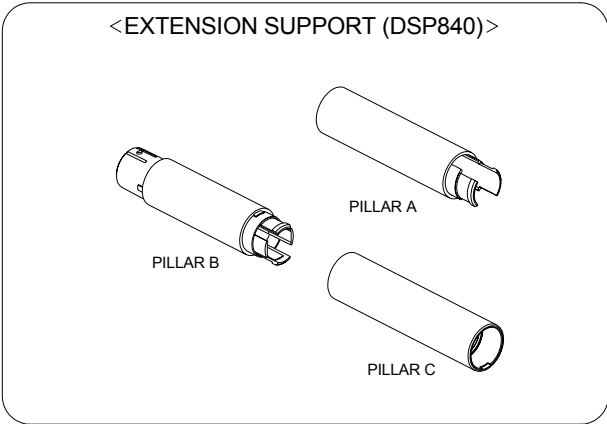
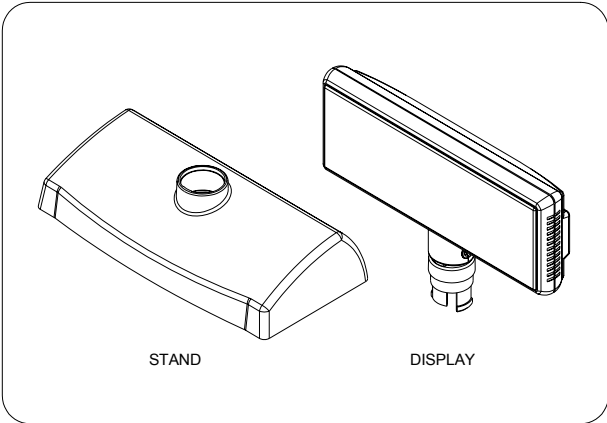


USB Display
DSP840
Installation Manual

TM951057

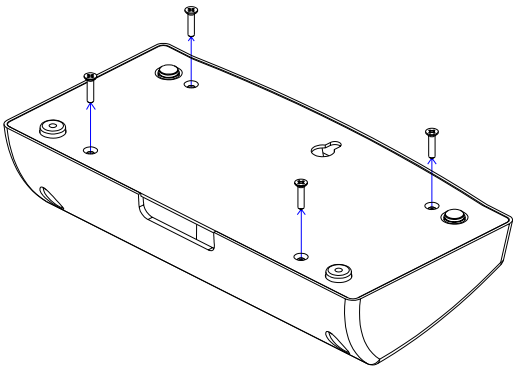
Required Items

The following items are used to attach the Display to the Stand.



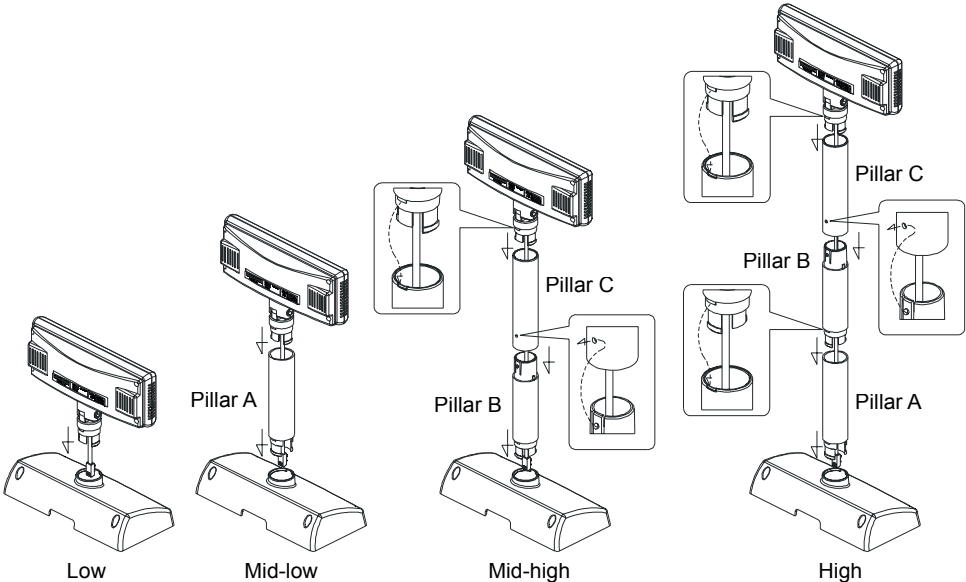
Assembling Steps

1. Unlock the Screw to open the Stand Plate.

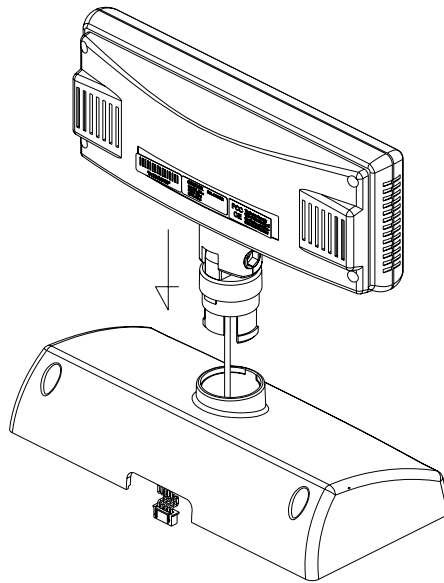


2. Place the Cable from the Display through the extension pillars to the Stand.

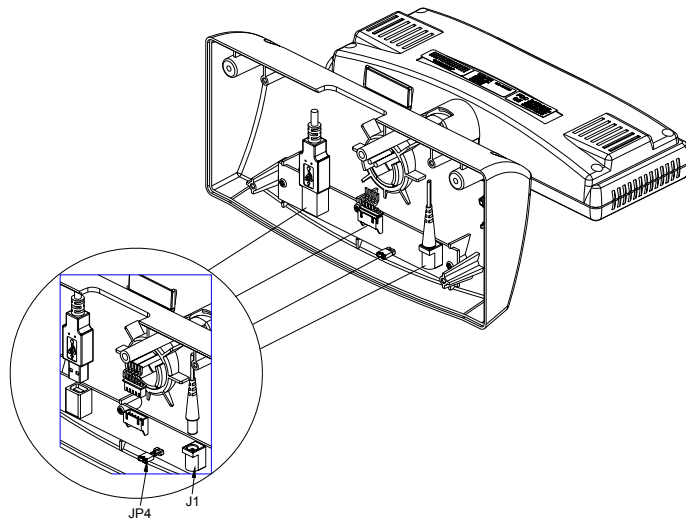
When extending the height of the Stand, attach the extension pillars with different heights: Low, Mid-low, Mid-high and High shown as below to the Stand.



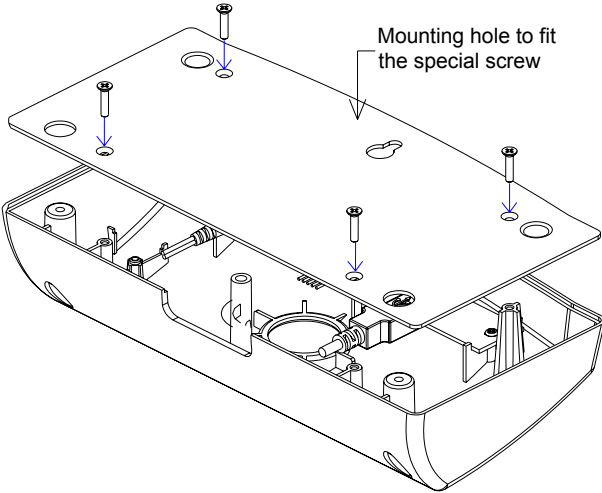
3. Insert the tab on the Display (or the extension Pillar) into the hole on the Stand until you feel it clicked.



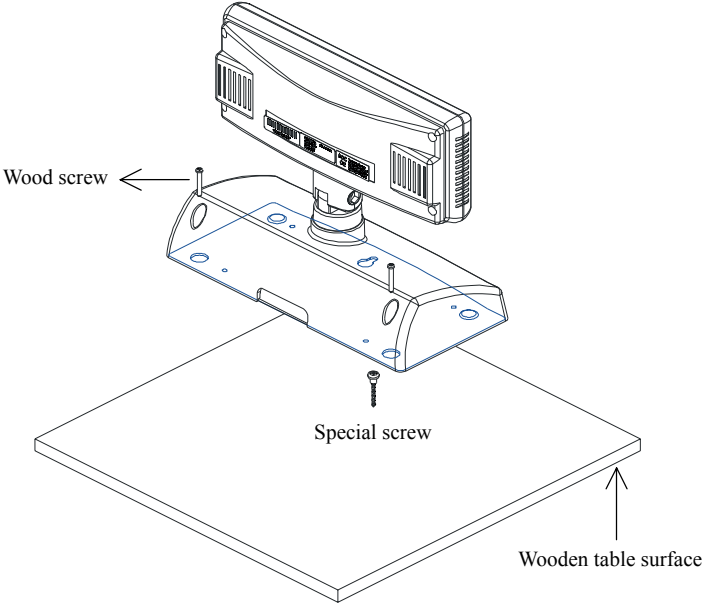
4. Connect the cable from the Display to the XH connector inside the Stand until you feel it clicked.
Also connect the enclosed USB cable to the “ USB ” connector .



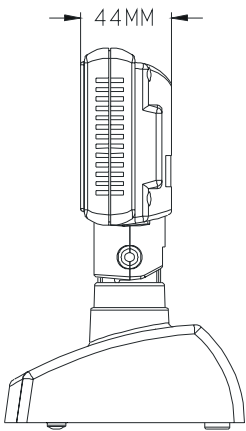
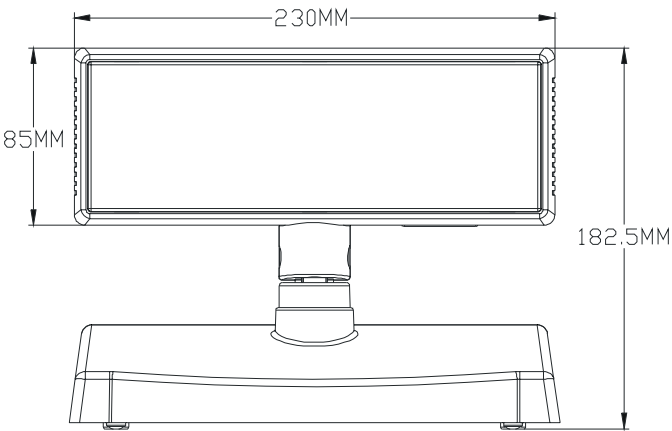
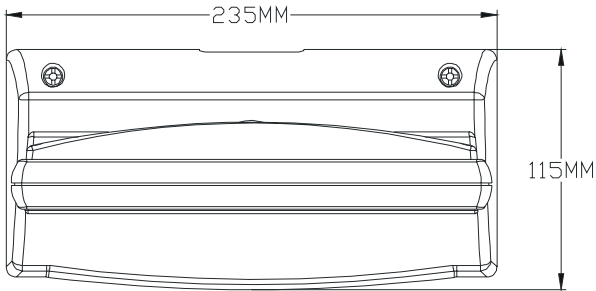
5. Cover the Stand Plate back and fasten the screws.



6. You may use the enclosed mounting screws (one Special screw and two Wood screws) to fix the Display on the wooden table surface.
Get the Mounting hole on the Stand Plate to fit the Special screw first and then fix the two Wood screws.



The Display/Pillar/Stand Dimensions



Low

The Display/Pillar/Stand Dimensions

